

Model BF+15F - BF+25F - BF+35F - BF+50F data sheet

The 'Berkel Sausage Filler Vertical Hydraulic Plus Range' is ideal of larger retail food independents, supermarkets and hypermarkets.

Capacities range from 15 litre to 50 litre, in single and three phase electrical supply

The range is constructed of stainless steel (main casing, piston & cylinder)

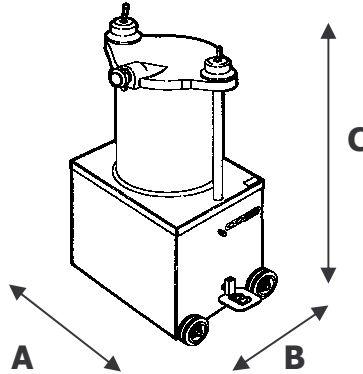
DESCRIPTION
<p>Model Range</p> <p>BF+15F BF+25F BF+35F BF+50F</p>
SPECIFICATIONS
<p>Finish</p> <p>The Sausage Fillers are constructed from stainless steel.</p>
<p>Type version</p> <p>Hydraulic</p>



Working Position	Product Capacity	Approvals
Floor standing	Refer to specification matrix overleaf.	CE Conformity: is in accordance with EEC directive 98/37, 89/336, 73/23, 89/109
Pistons	Environment	
Stainless steel.	The machine should be cleaned at least once a day. High-pressure water and steam cleaning should NOT be used.	
Product Worked		
Fresh and semi-fresh meat.		
Product Limitations		
The following products should not be worked on the BF+15F BF+25F BF+35F and BF+50F: - Forzen meat - Meat with bone - Non food products		

Model BF+15F - BF+25F - BF+35F - BF+50F data sheet

DIMENSION CHART



DIMENSIONS

Model	BF+15F	BF+25F	BF+35F	BF+50F
A mm	550 mm	550 mm	640 mm	560 mm
B mm	370 mm	405 mm	650 mm	600 mm
C mm	1200 mm	1115 mm	1115 mm	1230 mm

SPECIFICATIONS

Model	BF+15F	BF+25F	BF+35F	BF+50F
Model capacity	15 litre	25 litre	35 litre	50 litre
Working position	Floor	Floor	Floor	Floor
Cylinder length	495 mm	460 mm	460 mm	520 mm
Cylinder diameter	200 mm	260 mm	320 mm	380 mm
Piston stroke	430 mm	380 mm	380 mm	440 mm
Supplied nozzle sizes	10 - 18 - 25 mm	10 - 18 - 25 mm	10 - 18 - 25 mm	10 - 18 - 25 mm
Electrical specification	230V 50Hz 1 phase	230V 50Hz 1 phase	230V 50Hz 1 phase	230V 50Hz 1 phase
Motor specification	0,520 kW	0,520 kW	0,520 kW	0,520 kW
Overall dimensions (lxdxh)	550x370x1200h mm	550x405x1115h mm	640x650x1115h mm	560x600x1230h mm
Net weight	53 kg	91 kg	101 kg	194 kg

Options:

- 400V 50Hz 3 phase
- Stainless steel nozzles

SHIPPING SPECIFICATIONS

Model	Crate Dimensions			Gross Weight
	Length	Width	Height	
BF+15F	740 mm	640 mm	1480 mm	63 kg
BF+25F	600 mm	760 mm	1200 mm	103 kg
BF+35F	600 mm	760 mm	1200 mm	113 kg
BF+50F	700 mm	900 mm	1300 mm	200 kg